



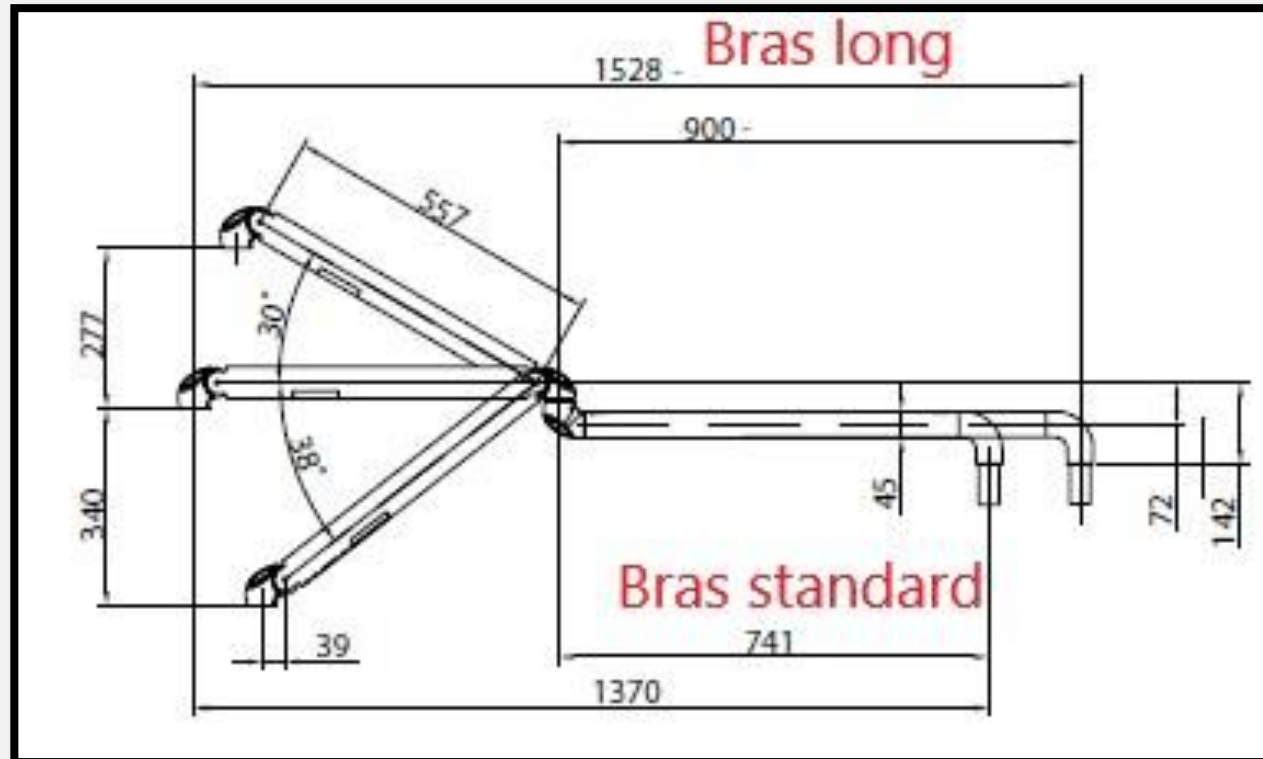
IRIS VIEW



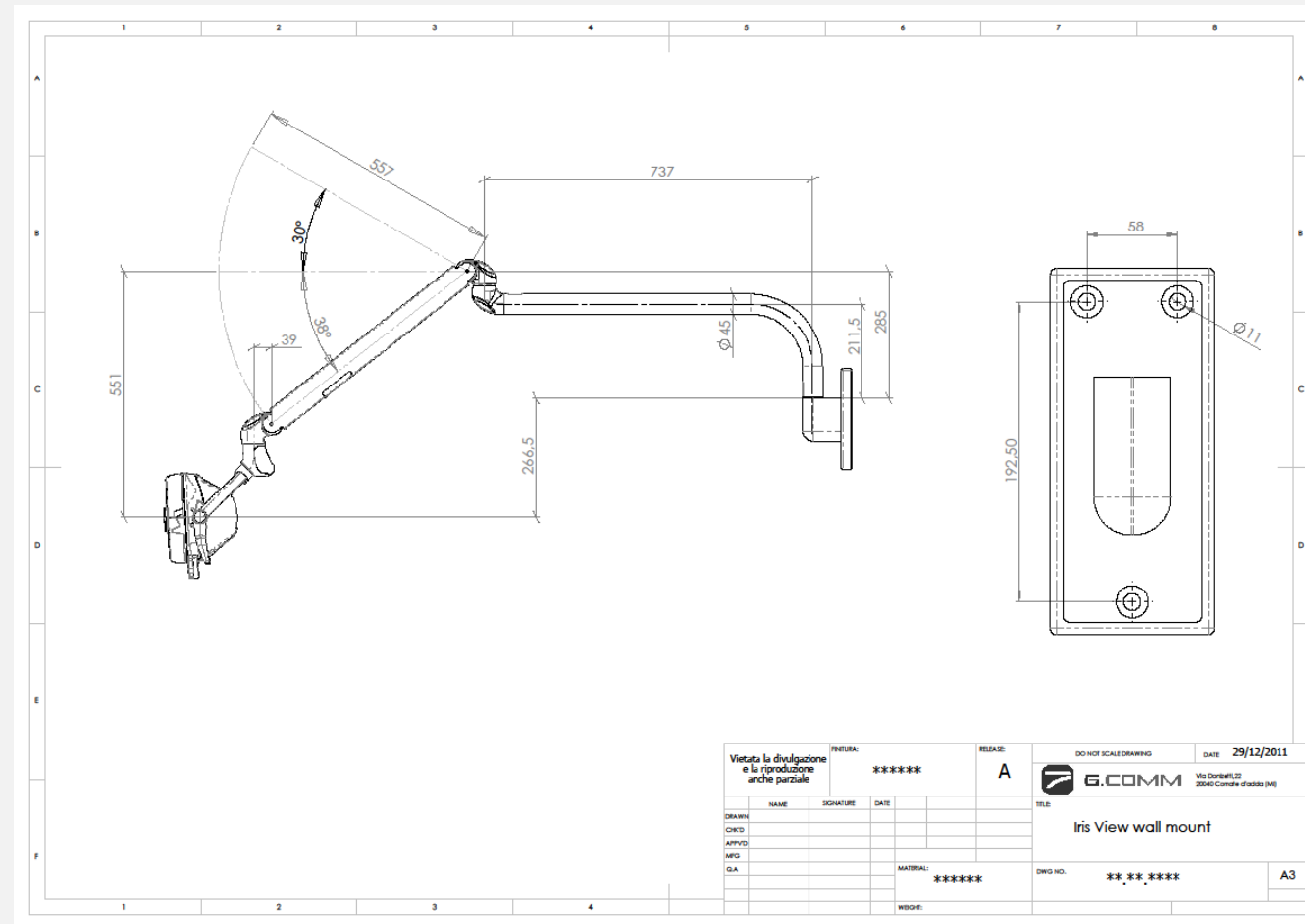
Configuration murale

BRAS H90 « FLOW MOTION »

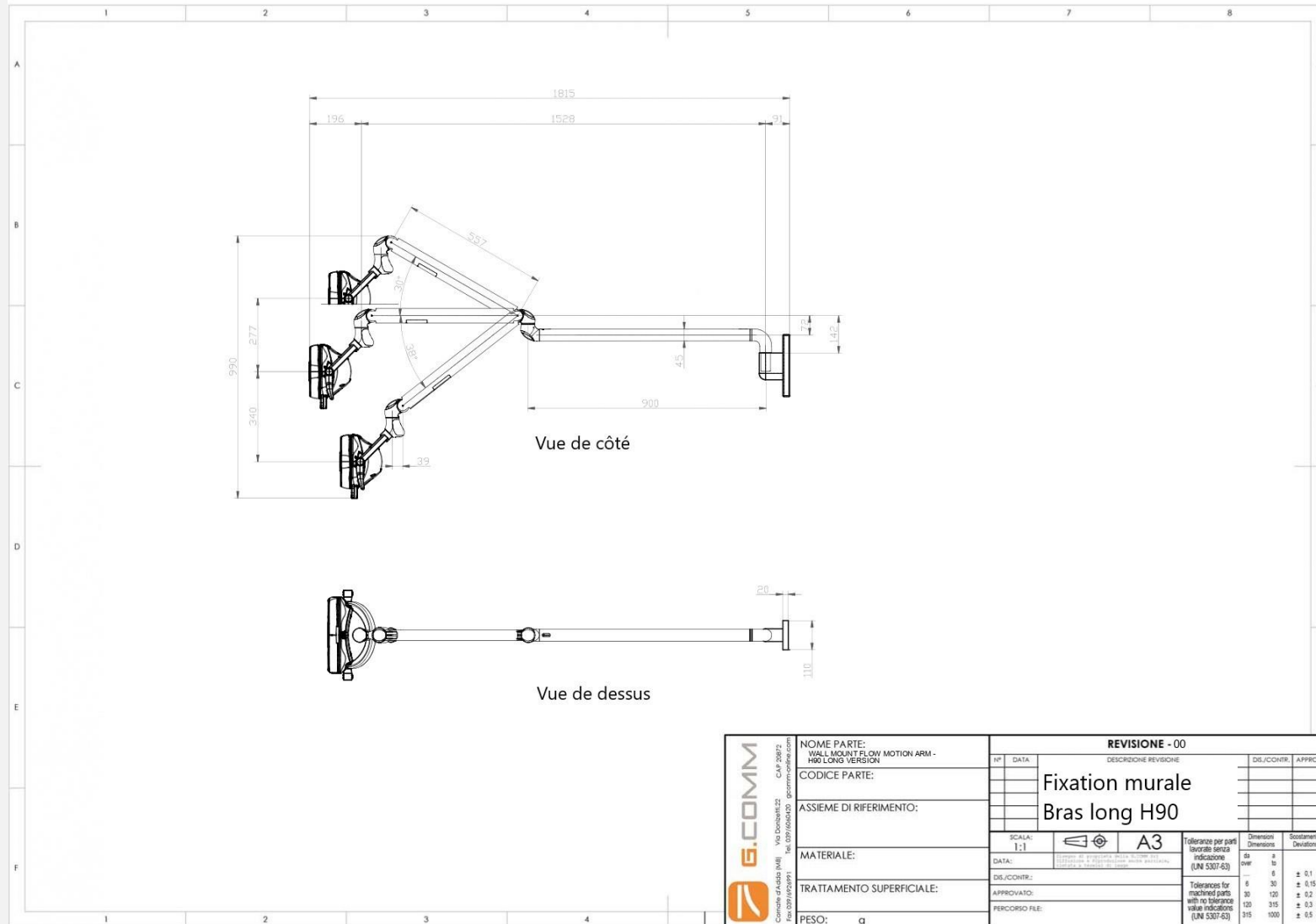
H90 FM (BRAS NON-CINTRÉ)




FIXATION BRAS CINTRÉ STANDARD



FIXATION BRAS LONG H90

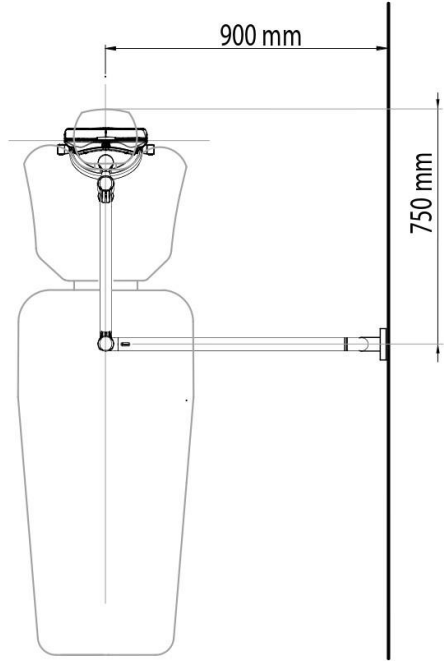


 <p> G.COMM Via Biondellese, 41/43 20081 Desio (MI) - Tel. 02/7604020 - gocomm.com </p>	NOME PARTE: WALL MOUNT FLOW MOTION ARM - H90 LONG VERSION	REVISIONE - 00																			
	CODICE PARTE:	DESCRIZIONE REVISIONE:	DIS./CONTR. APPROV.																		
	ASSIEME DI RIFERIMENTO:	Fixation murale Bras long H90																			
	MATERIALE:	SCALA: 1:1	A3																		
TRATTAMENTO SUPERFICIALE:	DATA:	DIS./CONTR.:	Tolleranze per parti lavorate senza indicazione (UNI 5307-63)																		
PESO: g	APPROVATO:	PERCORSO FILE:	Tollerances for machined parts with no tolerance value indication (UNI 5307-63)																		
			<table border="1"> <thead> <tr> <th>Dimensioni</th> <th>Scostamento</th> <th>Deviations</th> </tr> </thead> <tbody> <tr> <td>0-10</td> <td>± 0.1</td> <td></td> </tr> <tr> <td>10-30</td> <td>± 0.15</td> <td></td> </tr> <tr> <td>30-120</td> <td>± 0.2</td> <td></td> </tr> <tr> <td>120-315</td> <td>± 0.3</td> <td></td> </tr> <tr> <td>315-1000</td> <td>± 0.5</td> <td></td> </tr> </tbody> </table>	Dimensioni	Scostamento	Deviations	0-10	± 0.1		10-30	± 0.15		30-120	± 0.2		120-315	± 0.3		315-1000	± 0.5	
Dimensioni	Scostamento	Deviations																			
0-10	± 0.1																				
10-30	± 0.15																				
30-120	± 0.2																				
120-315	± 0.3																				
315-1000	± 0.5																				

FIXATION BRAS COUDÉ

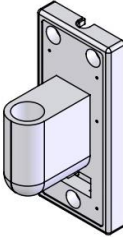
IRIS VIEW - MONTAGE MURAL, BRAS COUDE

VUE DE DESSUS

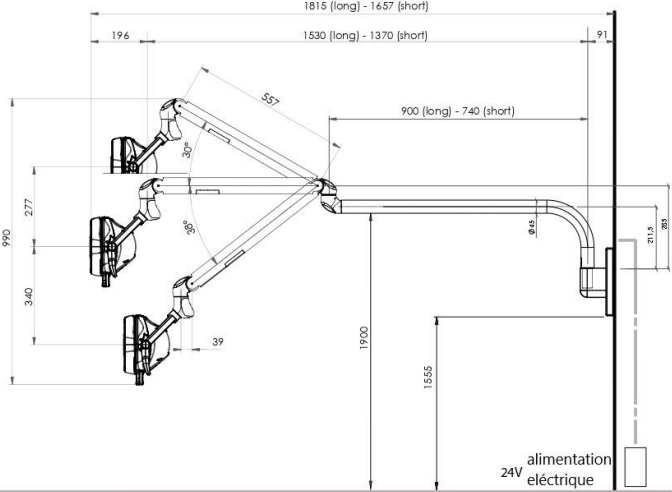
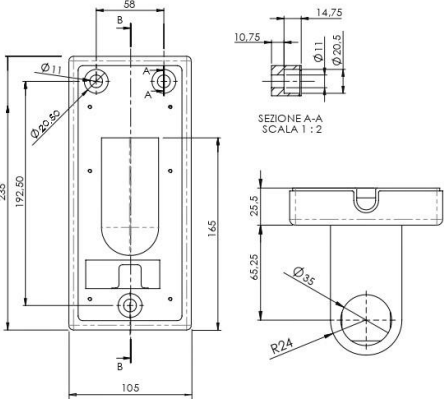


Fauteuil position allongée

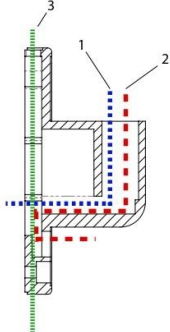
SANS ALIMENTATION
ELECTRIQUE



DIMENSIONS



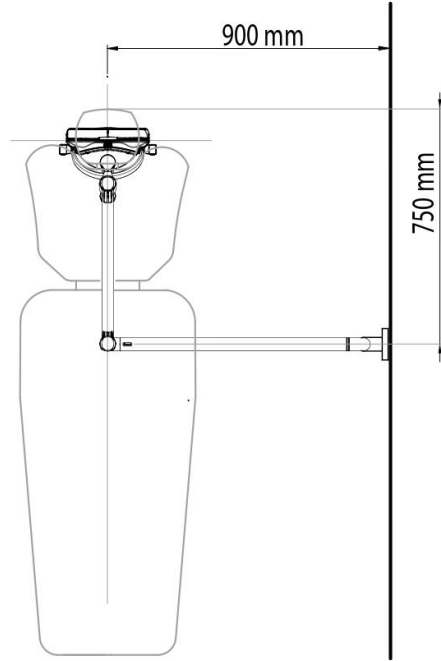
24V alimentation
électrique



FIXATION BRAS H90

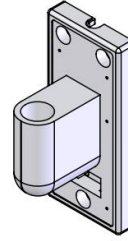
IRIS VIEW H90 ARM_WALL MOUNT

POSITIONING FROM DENTAL UNIT

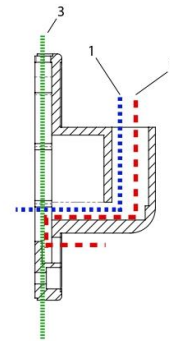
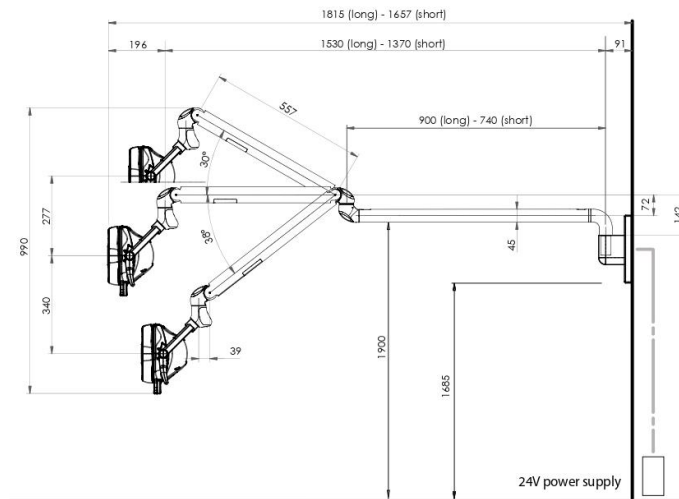
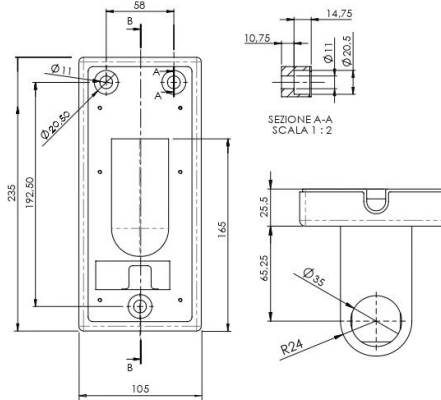


* dental chair in lying position

* WITHOUT POWER SUPPLY



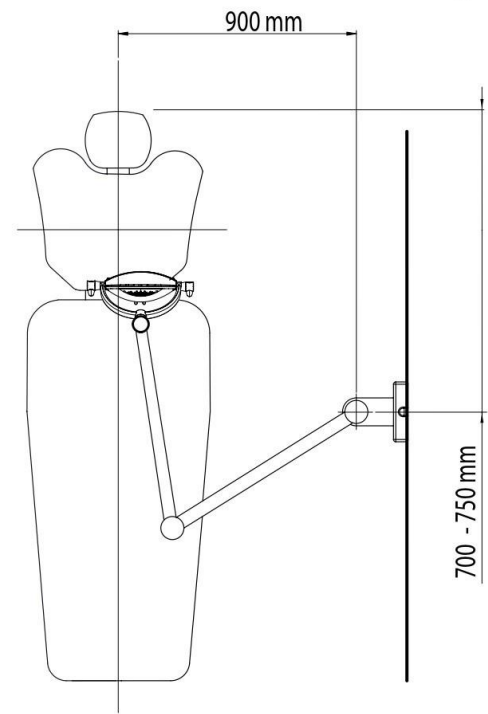
DIMENSIONS



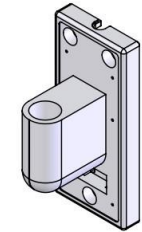
FIXATION MURALE BRAS LONG

FIXATION MURALE SCIALYTIQUE G.COMM + BRAS LONG

Vue de dessus

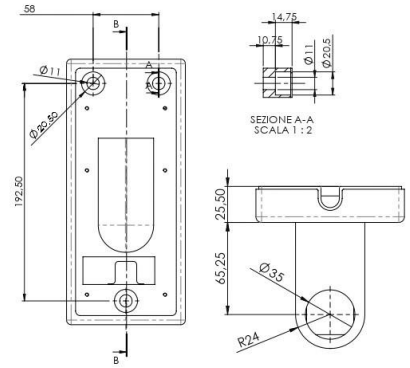


A

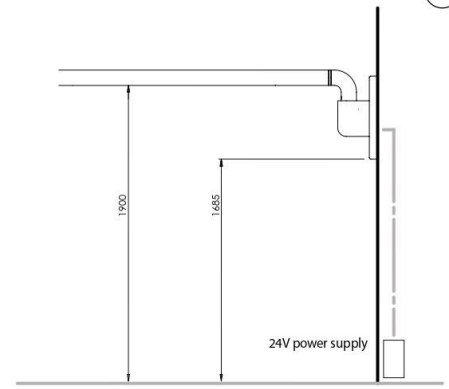


Sans transformateur

Plaque de fixation



B



C

